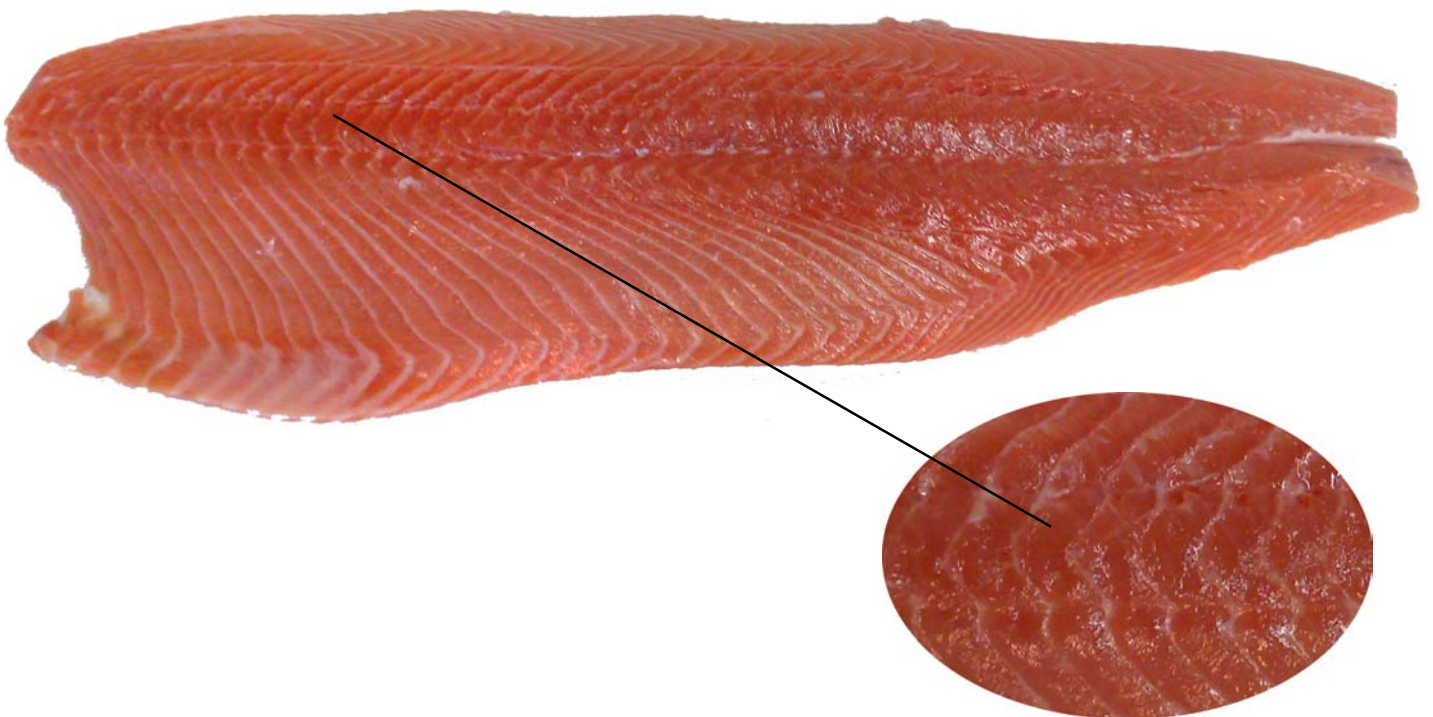




FTC Automatic Single-lane Pin Bone Remover



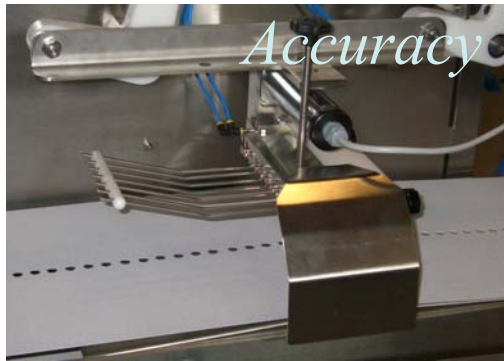
“**FTC Automatic Single-lane Pin Bone Remover**” is the solution for companies with relatively small production and with least weight loss on the market.

TRIO FTC SWEDEN has a long experience and knowledge about pin bone machines and is continuously developing the machines to fulfill customer’s demands.



From fillet size 80 gram.

FTC Belt Speed Control makes it possible to adjust the belt speed freely. You can choose the best speed for your production.



FTC Vacuum Belt System makes sure that even small and slimy fillets stay in correct position when the wheel picks up the bones. (option)



FTC Bone Guide adjusts automatically during operation.

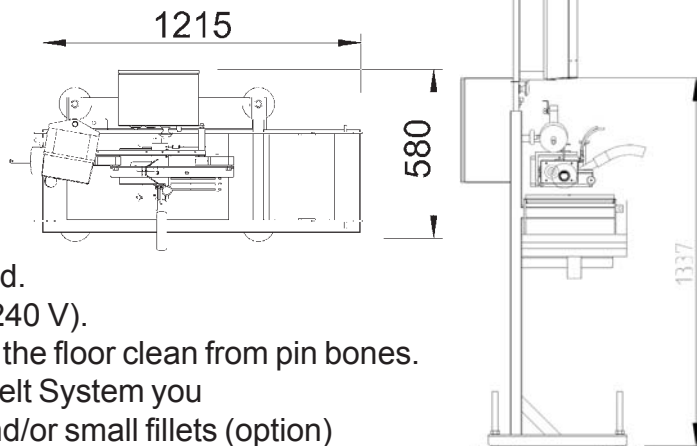
No more adjusting of bone guide.



Stainless tray keeps the floor clean from pin bones.

Advantages:

- * No gaping of fillet.
- * Compact.
- * Attractive price.
- * Adjustable belt speed.
- * Electric motor(208-240 V).
- * Stainless tray keeps the floor clean from pin bones.
- * With FTC Vacuum Belt System you can process slimy and/or small fillets (option)



Pin Bone Removal since 1986.

Specifications:

Dimension of Automatic Single-lane Pin Bone Remover:
 Length: 1250 mm
 Width: 700 mm
 Height: 1600 mm
 Working height: 900 mm (adjustable)
 Net weight: 100 kg

Electric supply: 208-240 V
 50/60 Hz, 1 Ph
 Other voltage upon request.
 Belt speed: up to 7 m/min

Trio FTC Sweden AB
 Söderbyvägen 8
 SE-195 60 Arlandastad
 SWEDEN
 Tel: +46-8-590 72515
 Fax: +46-8-590 33630
 E-mail: info@ftc-sweden.se
 Web: www.ftc-sweden.se
www.trio.no